



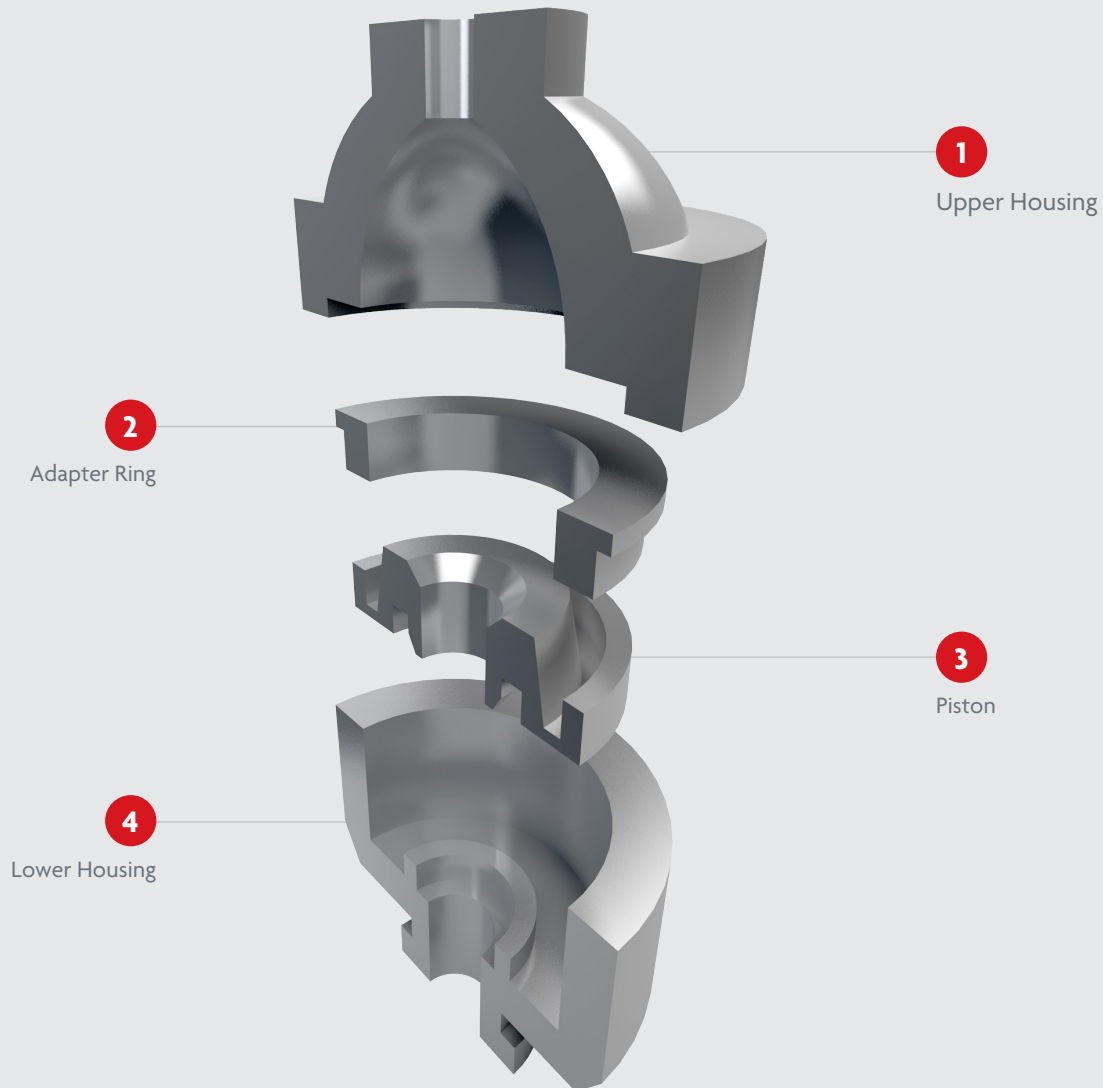
FORGINGS YOU CAN RELY ON

TOP-QUALITY COMPONENTS FOR BLOWOUT PREVENTION SYSTEMS

For over 40 years, **Frisa** has provided world-class dependability and quality forgings for oil & gas applications. Blowout preventers (BOPs) are critical components regarding rig safety because they stop unexpected oil, gas or mud surges during well drilling.

We forge a wide variety of BOP components with the strength, durability and reliability that our customers require.

ANNULAR / SPHERICAL BOP



If you need a product with a different shape or geometry than those shown, contact us and we'll gladly assess your requirements to offer a solution.

US Toll Free: 1 888 882 0959
Mexico Toll Free: 01 800 253 7472
Intl.: +52 (81) 8153 0300

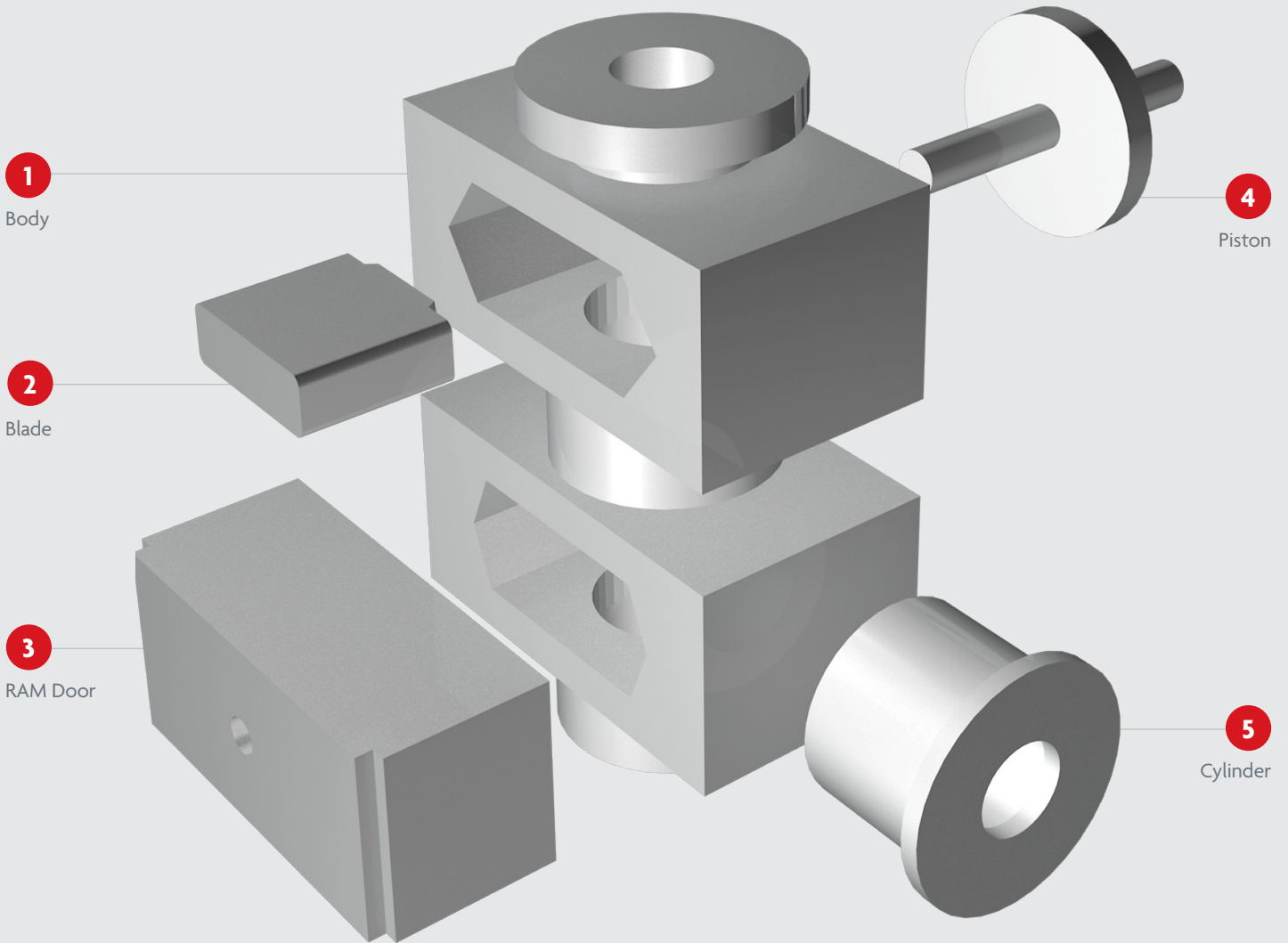
www.frisa.com



FORGINGS YOU CAN RELY ON

TOP-QUALITY COMPONENTS FOR BLOWOUT PREVENTION SYSTEMS

RAM BOP



MANUFACTURING CAPABILITIES

CARBON, ALLOY & STAINLESS STEEL

Maximum Outside Diameter		Max Length		Max Weight	
in	mm	in	mm	lb	kg
70	1788	300	7620	55000	25000

If you need a product with a different shape or geometry than those shown, contact us and we'll gladly assess your requirements to offer a solution.

US Toll Free: 1 888 882 0959
Mexico Toll Free: 01 800 253 7472
Intl.: +52 (81) 8153 0300

www.frisa.com